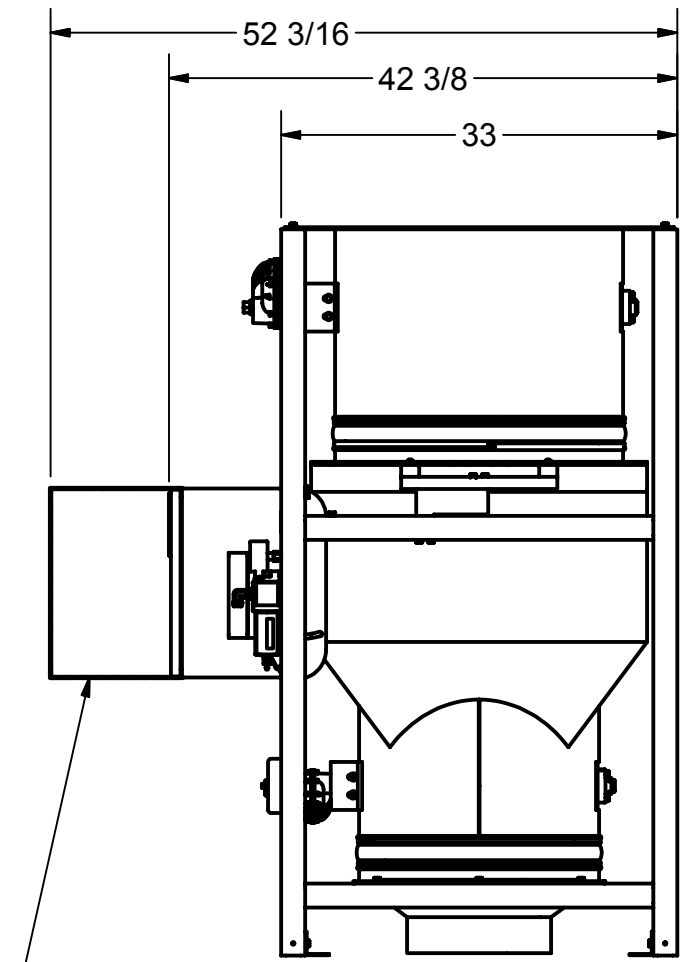
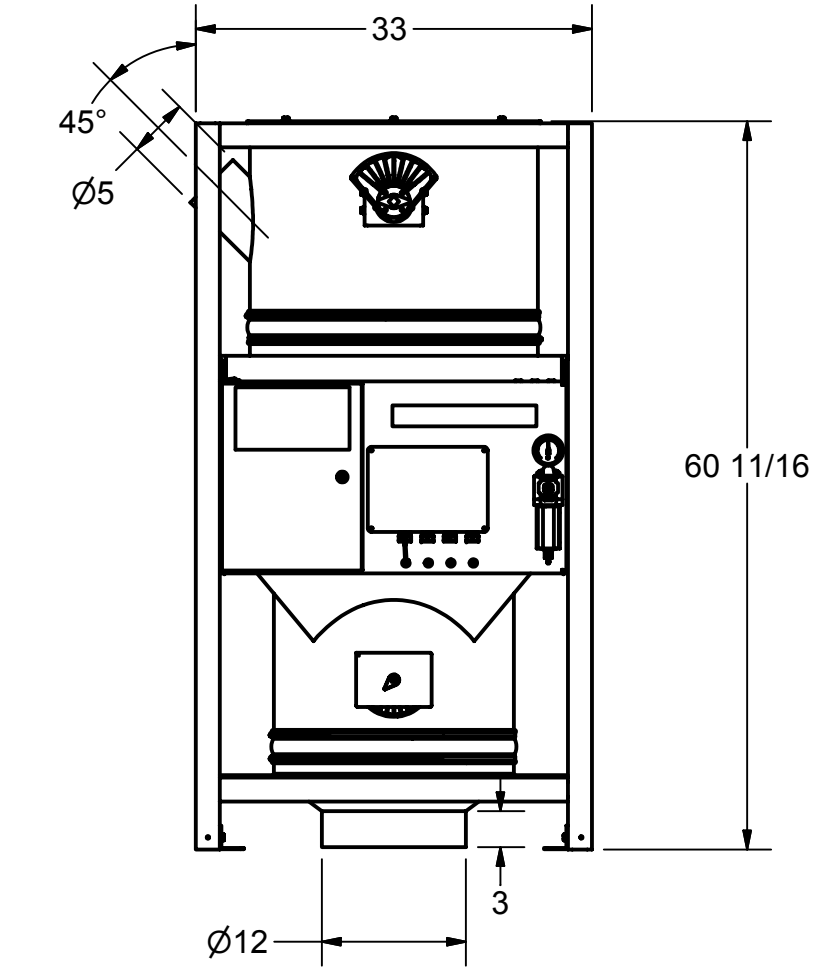
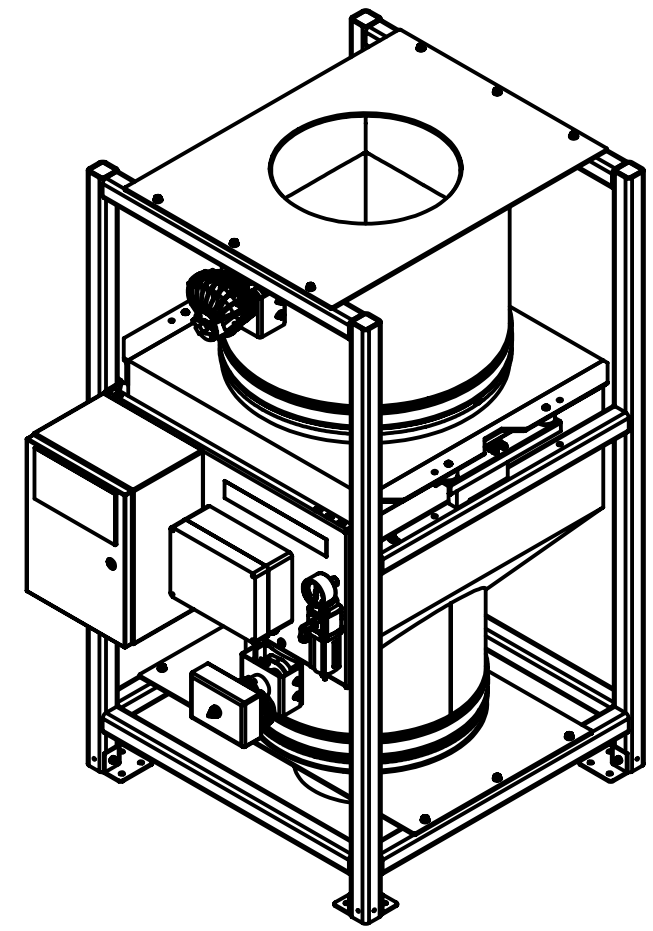


MOUNTING FOOT
DETAIL



ALLOW FOR CONTROLLER DOOR OPENING.

| | | | |
|--|--|--------------------|-----------|
| Please do not manually alter this CAD drawing. Do not scale drawing. | | | |
| TOLERANCES | | TITLE: | |
| Imperial | Metric | 67SXL2 SCALE | |
| Fractions +/- 1/16 | Millimeters x.0 +/- 0.5 x.x +/- 0.05 | | |
| Decimals .xx +/- 0.05 .xxx +/- 0.005 | | | |
| DRAWN BY: RAH | DATE: 7/28/2004 | DRAWING: 67SXL2 | |
| CHECKED BY: | DATE: | 1 OF 1 | REV: A |