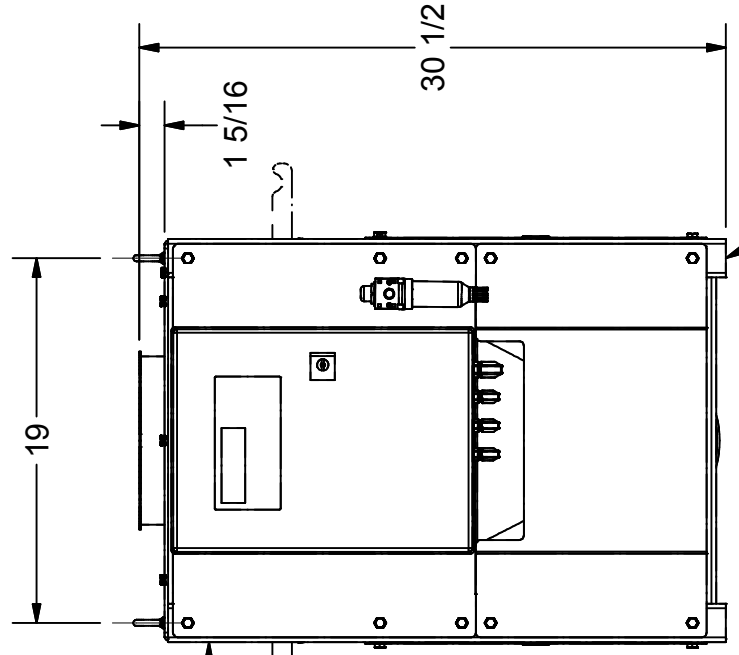
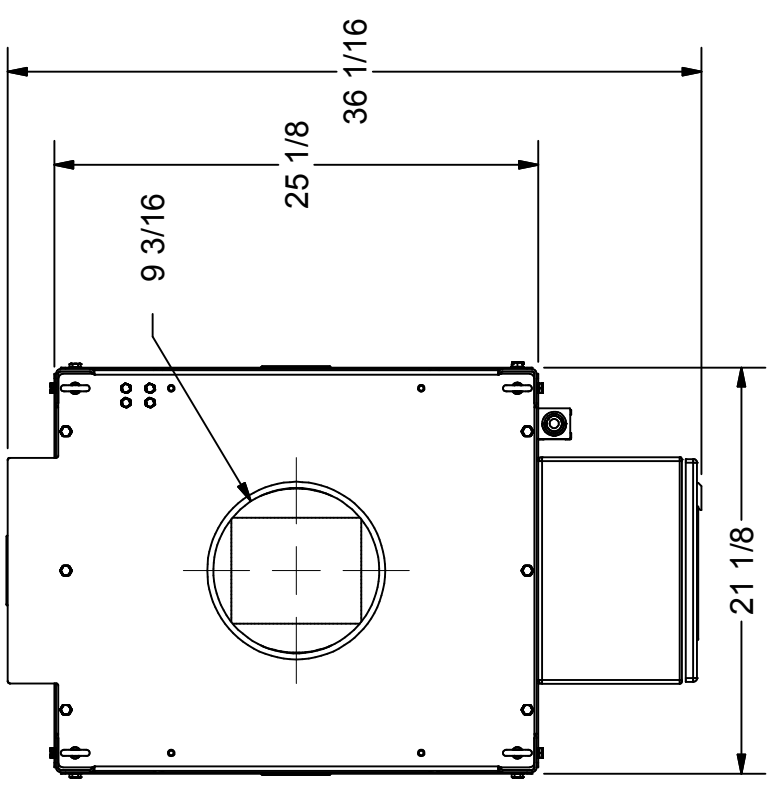
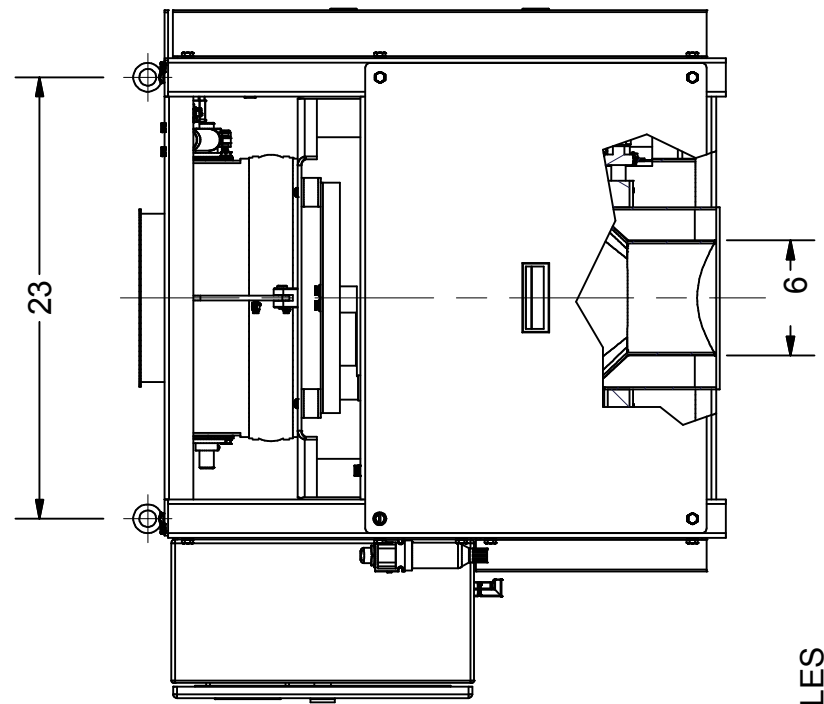
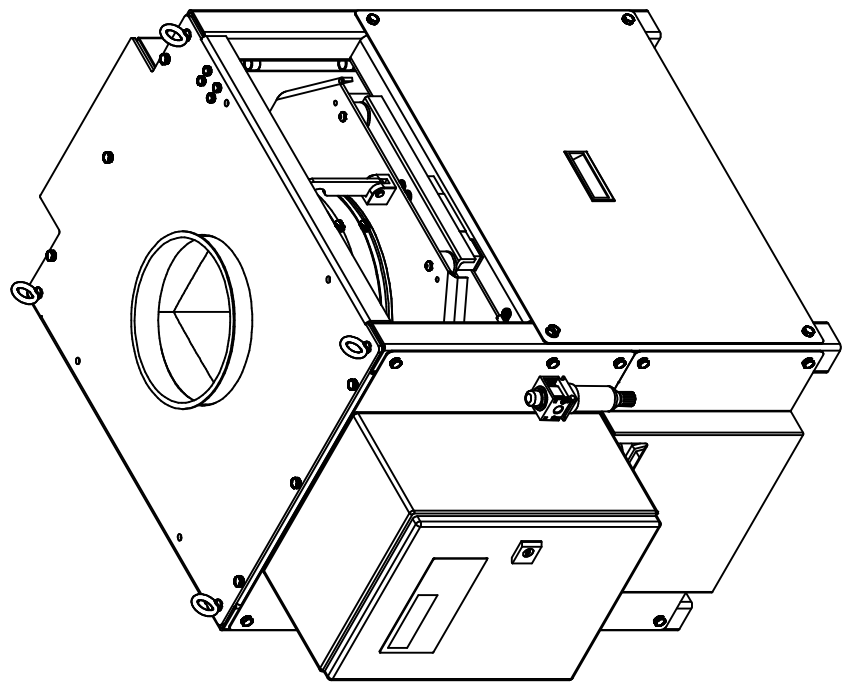


1 2 3 4

B

A

A



ALLOW
CLEARANCE
FOR
CALIBRATION
BRACKETS IN
EXTENDED
POSITION

5/16 - 18 MOUNTING HOLES
TOP AND BOTTOM. SHIPPED
WITH EYE BOLTS IN TOP

Please do not manually alter this CAD drawing. Do not scale drawing.



TOLERANCES		TITLE:	
Imperial	Metric	67XS Scale Overview	
Fractions +/- 1/16	Millimeters x.0 +/- 0.5 x.x +/- 0.05		
Decimals .xx +/- 0.05 .xxx +/- 0.005			

DRAWN BY:	DATE:	DRAWING:	REV:
RAH	10/7/2008	67XS	
CHECKED BY:	DATE:	1 OF 1	B

1 2 3 4

B

A

A